



CRYOMASS

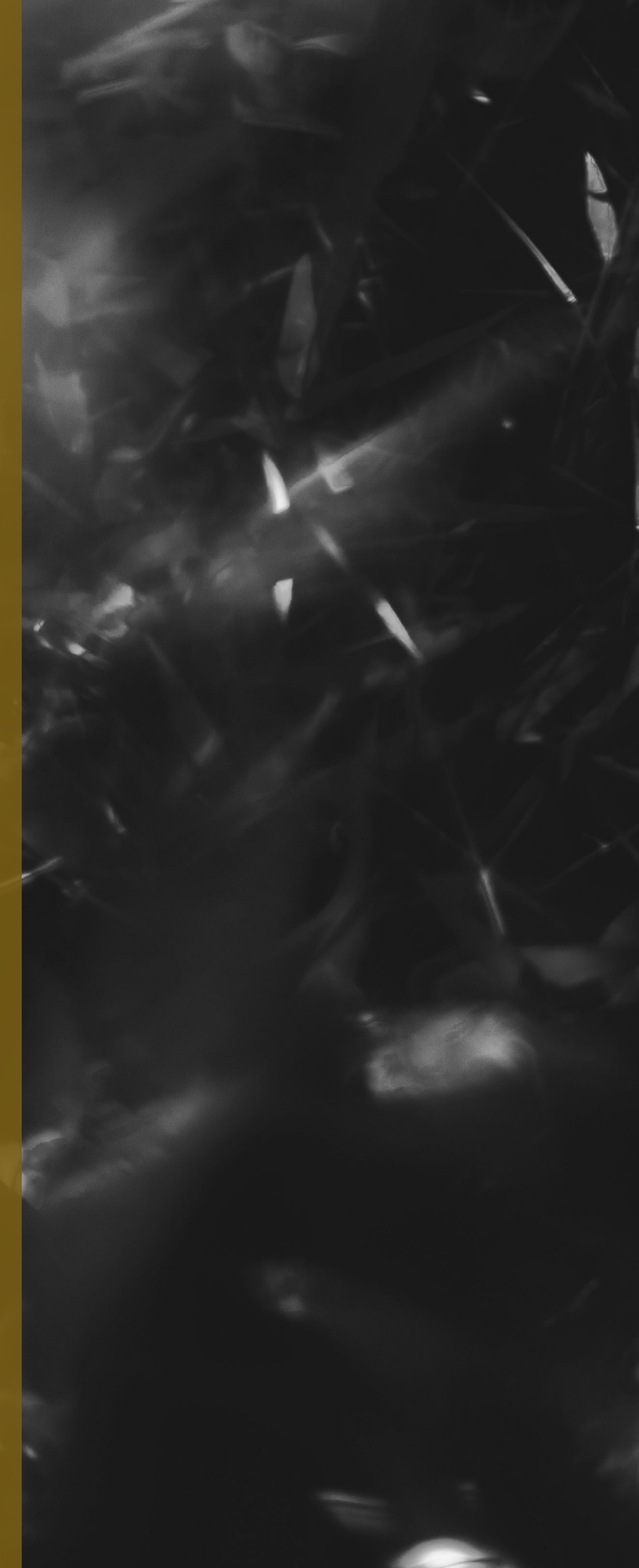
TECHNOLOGIES

Revolutionizing Harvesting & Refinement
of Cannabis & High Value Plants

SEPTEMBER 2022

Harvesting & Refinement Done More Efficiently

- CryoMass Technologies Inc. designs, manufactures and commercializes cryo-mechanical systems and processes for the harvesting and refinement of hemp, cannabis, and other high-value plants.
- Harvesting is simplified by processing fresh whole plant straight from the field while eliminating the need for bucking, trimming, drying and milling. This significantly reduces processing time, labor and cost while substantially increasing preservation of value components.
- Our **patented cryogenic trichome separation module** enables processors to scale the production of solventless products to an industrial capacity that is not currently achievable with existing technology. The system's efficiency and yield are unmatched by the competing processes, and at a fraction of the operational cost.



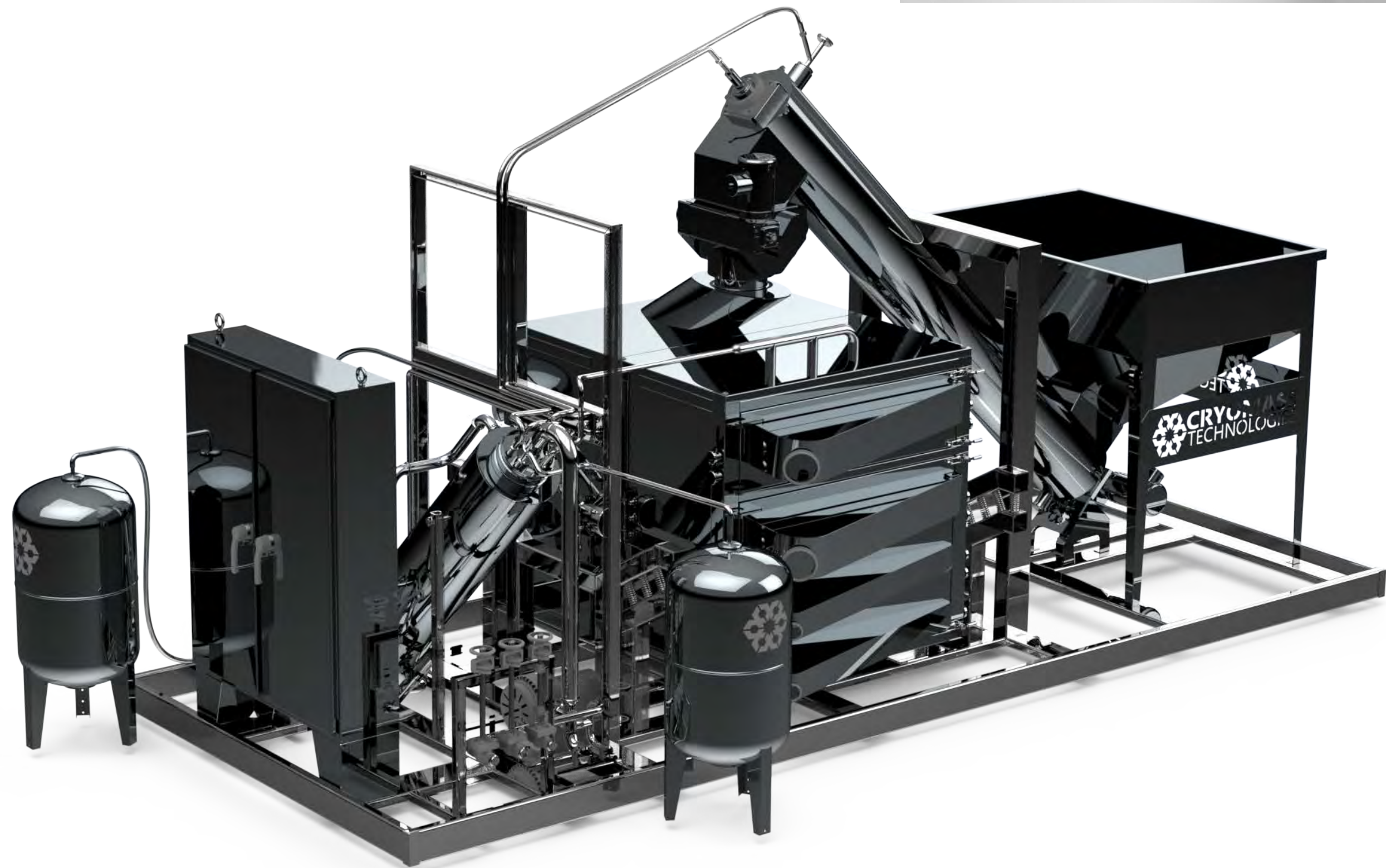
Revolutionizing Harvesting & Refinement Of Cannabis & High Value Plants

OUR VISION

To revolutionize the harvesting & refinement of high value plants while using the smallest ecological footprint.

OUR PURPOSE

To enhance cultivators and processors operational efficiencies with innovative technology that will translate into increased profits while enabling them to provide consumers with higher quality products.



OUR VALUES

Eco-Sustainable & Socially Responsible

Committed to Innovation

Driven by Science/Backed by Data

Empower Through Education



Hemp & Marijuana Are The Same Plant; Cannabis sativa

All forms of cannabis, including marijuana and hemp, belong to a single species - cannabis sativa

HEMP

A term often used in policy to describe any cannabis variety with less than 0.3% THC.

Traditionally bred for CBD, fiber and seed



MARIJUANA

A vernacular term typically used to describe cannabis with higher levels of THC (over 10%).

Traditionally bred for cannabinoids – most notably THC



1. FLOWER

Often called buds, cannabis flowers vary in appearance depending on their sex and genetic traits. The colours range widely with the most common being green, orange, red and purple. The female flower, having the highest concentration of trichomes, is the part of the plant that is consumed to experience the effects attributed to cannabis.

2. TRICHOMES

Cannabis trichomes contain, in varying quantities, several cannabinoid compounds, predominantly tetrahydrocannabinol (THC) and cannabidiol (CBD). Trichomes appear as tiny crystals all over the plant. They are bigger and denser on the flowers than on the leaves.

3. LEAF

The symbol of the cannabis and something of an icon, the leaf is easily recognizable by its fan shape, pronounced venation and serrated leaflets. Leaf colour can range from pale green to dark olive green.

TERPENES

Different strains of cannabis have different sets of terpenes, which are comparable to essential oils. It is mainly the terpenes that give cannabis plants their particular aromas and flavours.





SEEDS

Seeds are produced in female flowers. They contain a high amount of protein and beneficial fats. Seeds are used for protein powder, vegetable oils, cosmetics including topicals and hair products, energy and biofuels, flour, animal feed, and many other applications.



LEAVES

Leaves harness energy from the sun for plants to survive. They may be used for energy and biofuels, nutraceuticals, tea, cosmetics, compost, and various agro-chemicals.



STALKS

Stalks consist of an inner woody hurd fibre, and an outer string-like bast fibre. Hurd can be used for hempcrete, insulation, construction materials, mulch, paper, plastics, particle board, energy and biofuels and many other applications. Bast uses include pulp and paper, biocomposites, textiles, rope, construction materials, and energy and biofuels.

Importance Of Trichomes

Glandular trichomes are small resin glands found mostly on the surface of female flowers. These chemical factories produce hundreds of compounds including cannabinoids and terpenes. Cannabinoids, including THC and CBD, are responsible for the medicinal and sometimes psychoactive effects of cannabis.

Terpenes (and terpenoids) are largely responsible for the characteristic smell of cannabis as well as contributing to the medicinal effects. Cannabinoids and terpenes are found almost exclusively within the glandular trichomes and nowhere else on the plant. Not only are these compounds very sensitive to environmental factors such as oxygen, heat and light, the trichomes housing these compounds are very delicate and will readily fracture or detach when subjected to physical agitation.



Traditional Harvesting & Processing Methods Incur Enormous Loss Of Trichomes

Conventional processing methods haven't changed much since the 1960s, when the industry operated illegally out of someone's backyard. **The methods waste a third or more of the plant's most desired elements – the trichomes.**

The trouble starts with the **fragility of trichomes**. They break off easily and are lost forever in the same way a Christmas tree loses its needles when handled and then are gone forever. With conventional handling and drying, every step shakes off more of them. **All in all, roughly one-third of the trichomes are lost.**

When the plant is handled and trucked to a drying facility, the loss of trichomes accelerates. Then – midway through drying – the flower becomes extremely brittle and trichome loss becomes exponential, like the needles of a Christmas tree being forced through the front door at the end of the holiday season.

By that point, the plant still needs to be handled and transported to the extraction facility. The biggest challenge in any plant processing is to capture all the valuable elements that are wrapped up inside the plant at the moment of harvest.

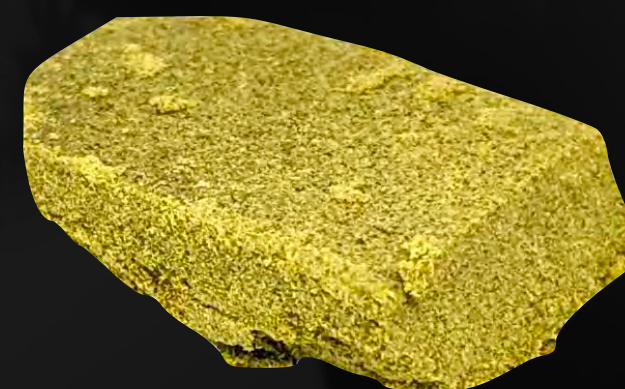
There really was no way to accomplish this...until now.



What Have Trichomes Been Traditionally Used For?

Hashish, also known as hash, is a cannabis concentrate product composed of compressed or purified preparations of stalked resin glands, called trichomes.

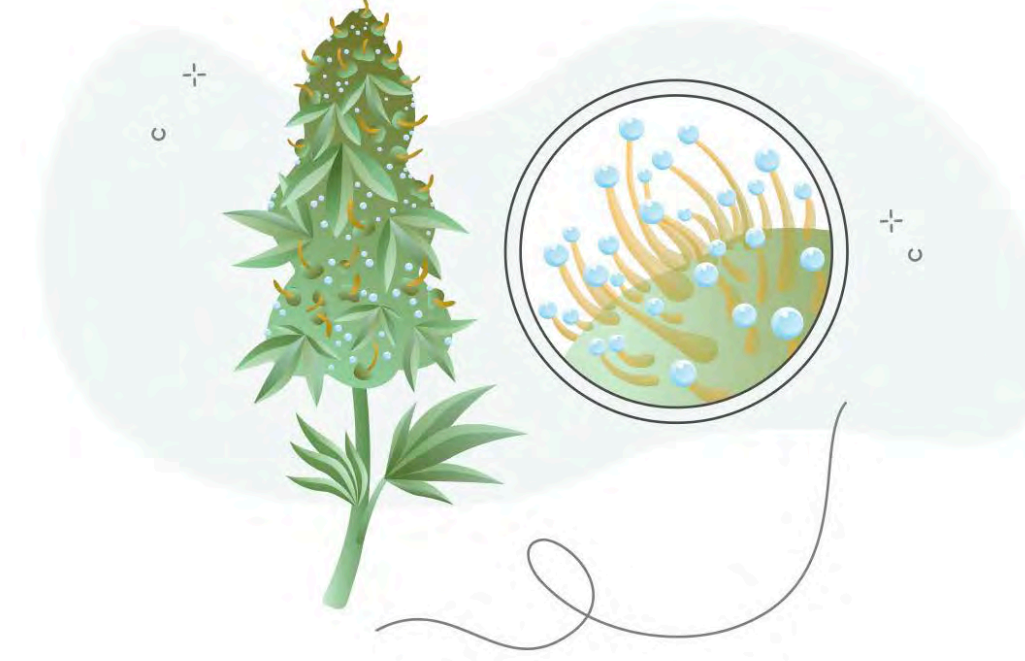
Hash has a long history of usage in countries such as Morocco, Afghanistan, India, Iran, Israel, and Lebanon. The sticky resin glands of the fresh flowering female cannabis plant are collected. Traditionally this was, and still is, done in remote locations by pressing or rubbing the flowering plant between two hands and then forming the sticky resins into a small ball of hashish called charas. This method produces the highest amount of cannabinoids (THC content up to 60%) without chemical solvents or distillation.



Mechanical separation methods use physical action to remove the trichomes from the dried plant material, such as sieving through a screen by hand or in motorized tumblers. This technique is known as "drysifting". The resulting powder, referred to as "kief" or "drysift", is compressed with the aid of heat into blocks of hashish.

Ice-water separation is another mechanical method of isolating trichomes.

How Were Trichomes Collected Before CryoMass ?



Traditional trichome separation methods are rudimentary at best.

The cannabis flower is typically placed in a mesh bag, soaked in ice water and then agitated to separate the trichomes.

The careful agitation is done by machine or by hand, using paddles. Trichomes may break away from supporting flower and leaves when plant material becomes brittle at low temperatures. After plant material has been agitated in an icy slush, separated trichomes are often dense enough to sink to the bottom of the ice-water mixture following agitation, while lighter pieces of leaves, stems and other plant particles tend to float. The water is then left to settle and the trichomes at bottom of the tank are isolated using filtration bags with various-sized screens.



Manual Trichome Separation



Traditional Ice Water Trichome Separation System

CryoMass vs. Traditional Trichome Separation Systems

When comparing the results of the patented CryoMass system to traditional ice water trichome separation systems, **there is no comparison.**

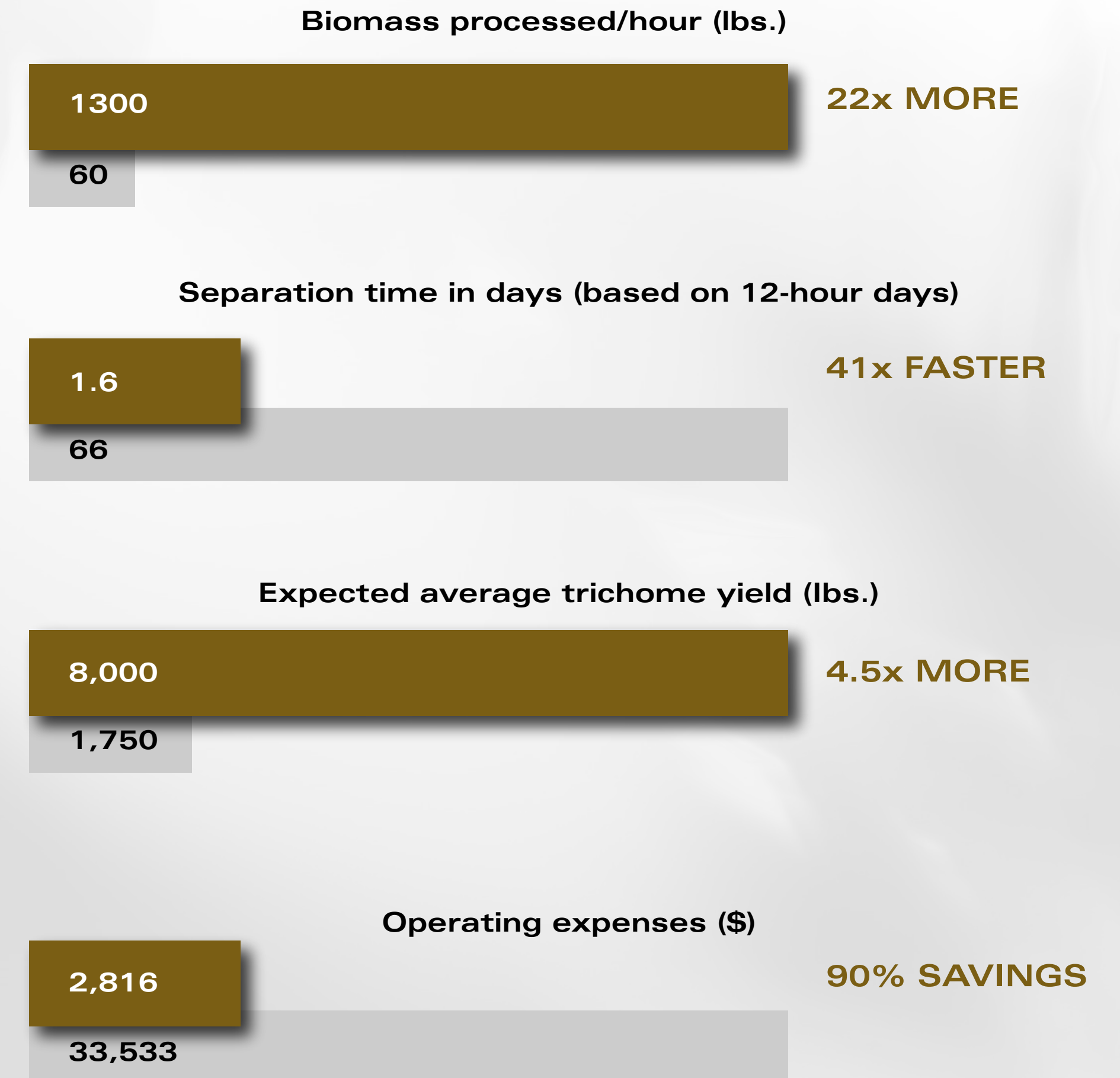
Based on the processing of **25,000 lbs** of biomass, here is a comparison of our trichome separation system versus nine leading traditional systems that do not and cannot utilize our patented cryogenic, solventless separation process. **They use ice water instead.**

It is important to note that one of the key reasons the CryoMass system is so much more efficient from a process and cost-saving perspective is that it is, to the best of our knowledge, the only continuous-feed separation system while all others are batch-feed systems.

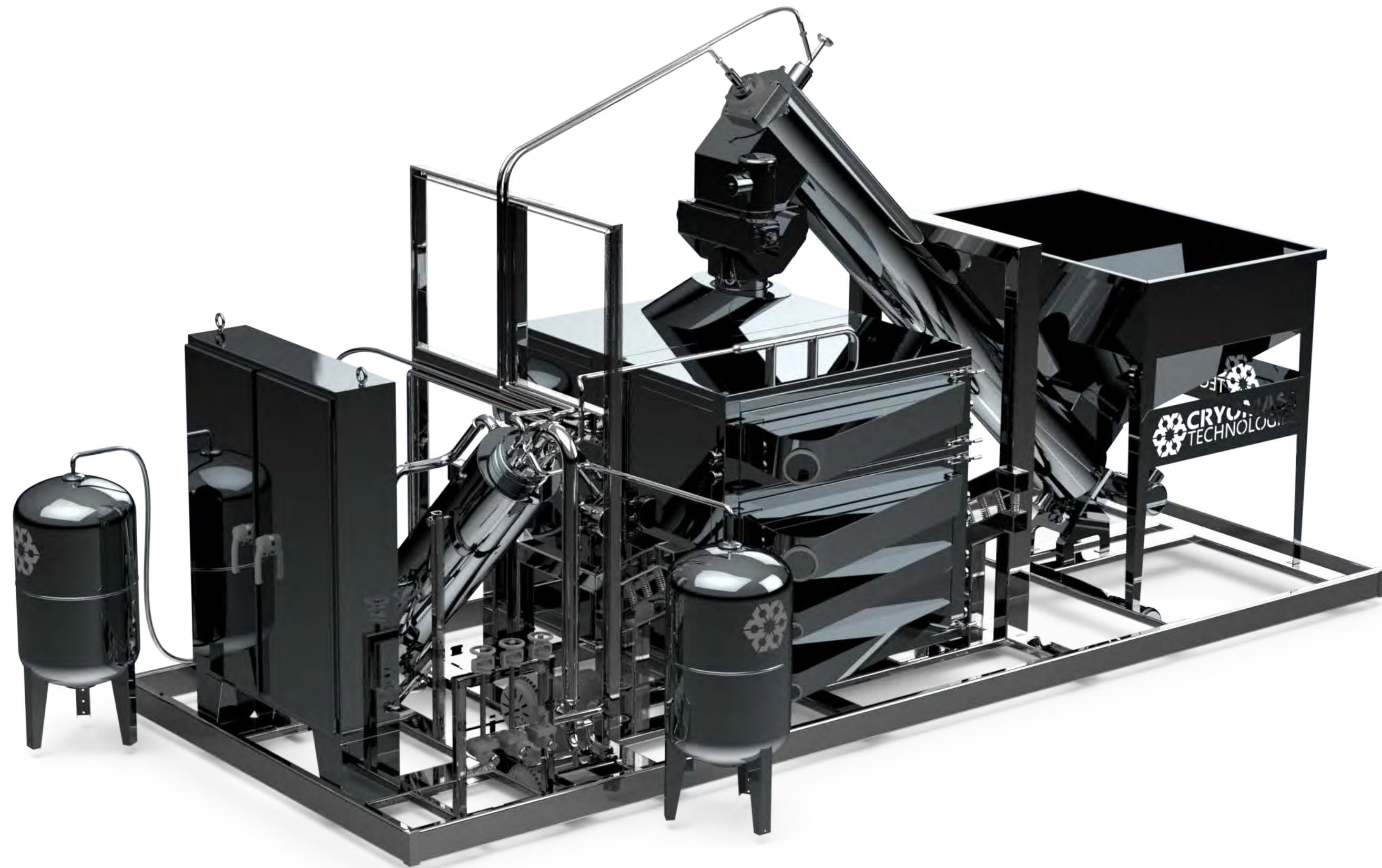
Although the Company's initial focus is on the cannabis and hemp sector, **there is tremendous potential to generate important revenue streams from processing other high-value, trichome-rich plants** where similar cost savings and end-product improvements can be realized.

* Traditional systems data was gathered from company websites and from conversations with company representatives. This is an average of the 9 leading traditional systems.

- CRYOMASS
- TRADITIONAL



Bringing Never Before Seen Efficiencies & Options To Cannabis & High Value Plant Operators



ELIMINATE DRYING & TRIMMING

Process fresh whole plants straight from the field and reduce days of work & trichome loss.

INDUSTRIAL CAPACITY

Process up to 1,300 lbs/600,000 grams of fresh biomass per hour per system.

MOBILE OR FIXED UNITS

Our system can be operated at the cultivation site or be permanently installed in a processing facility.

GREEN PROCESS

Minimal energy usage and no organic solvents. Minimal ecological footprint .

OUTPUT

Increase cannabinoid and terpene concentration up to 10x .

BIOMASS VERSATILITY

Process wet or dry, fresh frozen, whole plant, cured flower, trim and everything in between.

VOLUME

Reduce volume of product up to 80% relative to starting material, making storage and transportation less burdensome.

We Call The Result Of Our Cryogenic Trichome Separation - CryoSift

CRYOSIFT IS TRICHOMES IN THEIR PUREST FORM

- CryoSift can be used for making THC and CBD products for medicinal, wellness and recreational purposes. It can also be used for making CBD products for animals.
- The quality of CryoSift is superior to sift obtained with traditional dry and water-based trichome separation methods. Cryogenic separation results in increased cannabinoid yields, higher terpene count for a greater retention of the most desirable compounds.
- Though CryoSift can be consumed as is, it is the ideal input for manufacturing superior premium concentrates at scale, without the use of solvents (solventless).
- CryoSift can also be used as a high-quality feedstock for traditional solvent-based extraction methods (such as ethanol, CO2 or hydrocarbon) to create extracts with different flavor, color and aroma profiles like live resin concentrates.



CRYOSIFT



SOLVENTLESS PRODUCTS



SOLVENT BASED PRODUCTS

Industries That Can Use Our Technology

We are also exploring the application of our process to a broad range of industries that handle high-value plants which could benefit from our **precision capture, cryo-preservation and separation technology**



PHARMACEUTICAL

Numerous compounds of medicinal interest grow in trichome-containing plant species including natural fungicides and antibiotics to name a few



AGRICULTURE

Cryo preservation and refinement of standard agricultural crops

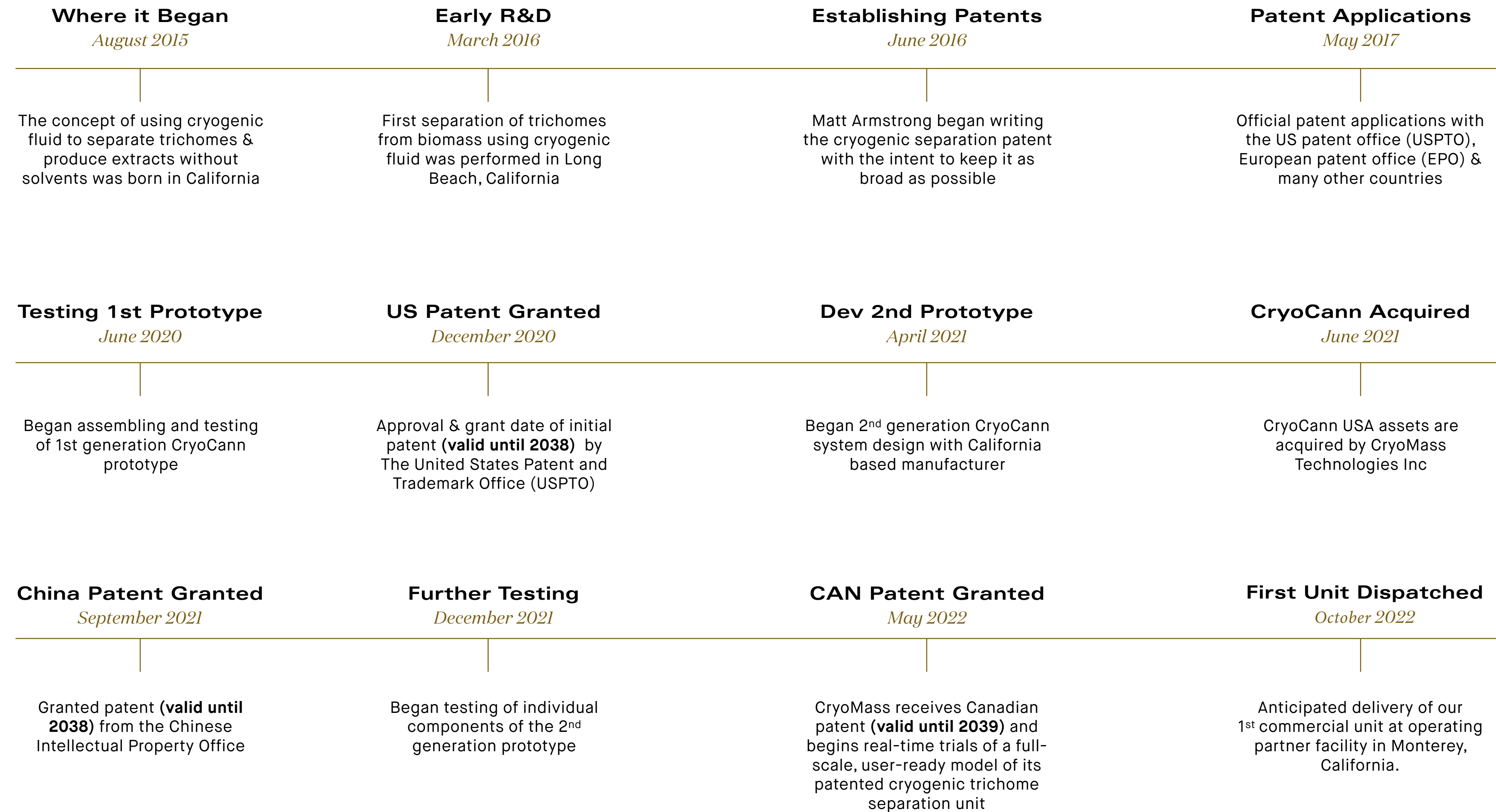


FOOD & BEVERAGE

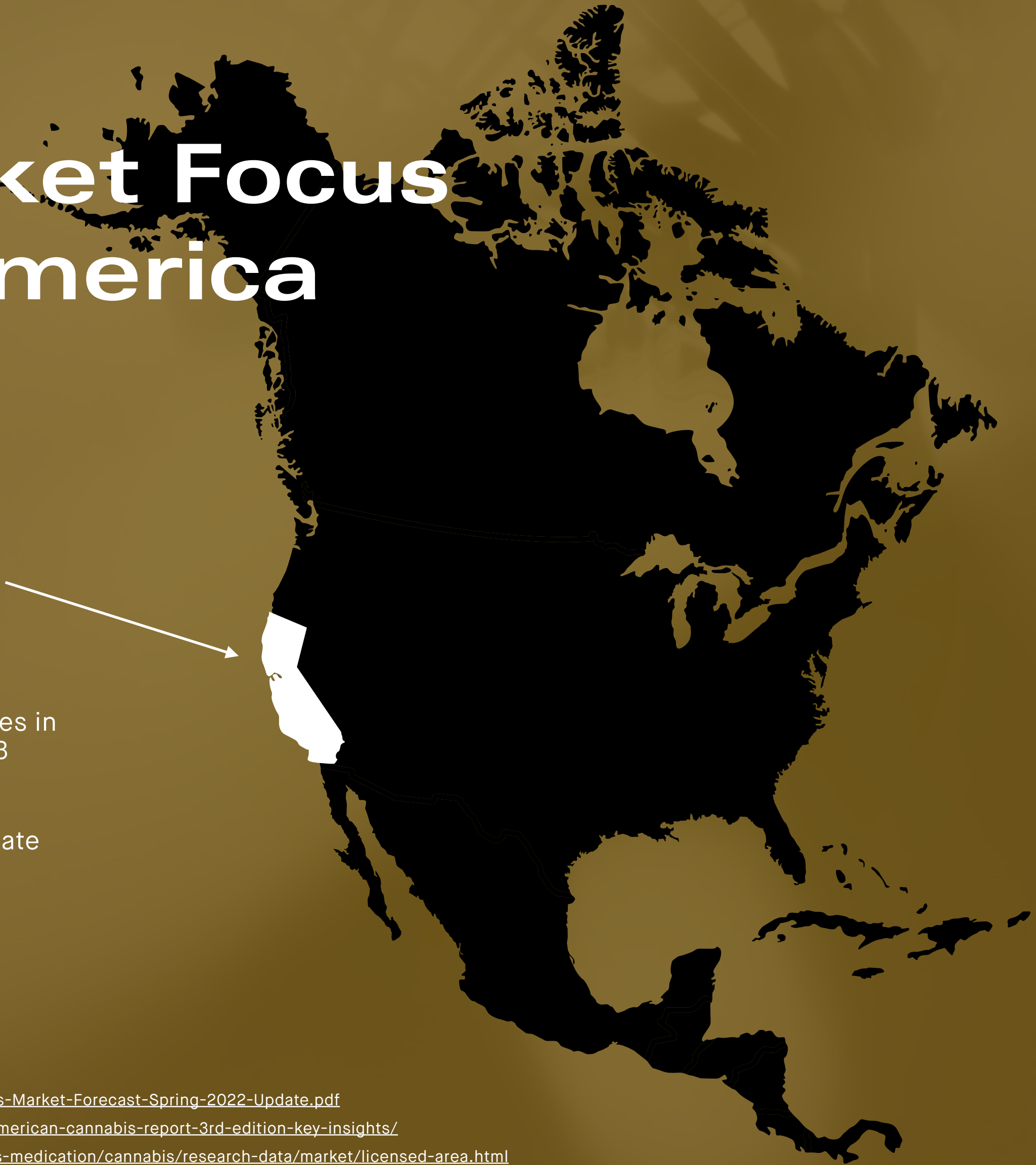
Hops for beer and grapes for wine



NUTRACEUTICALS



Initial Market Focus Is North America



CALIFORNIA

1st commercial unit at operating partner facility will cover 60% of California cultivation licences

Legal Cannabis product sales in California totalled US\$431.3 million in June 2022.

Suggesting an annual run-rate of US\$5.175 billion⁽⁶⁾

Global cannabis product sales will reach US\$35 billion in 2022, and are projected to reach US\$61 billion by 2026 ⁽¹⁾

CANADA CANNABIS

Product sales of US\$4 billion in 2021 projected to be US\$7.6 billion in 2026 ⁽²⁾

2,196 acres of licensed cultivation in 2021 ⁽³⁾

CANADA HEMP

1,269 industrial hemp licenses in 2020 with 54,963 acres of cultivation ⁽⁵⁾

USA CANNABIS

Product sales projected to grow from US\$18.5 billion in 2022 to US\$58.8 billion in 2026 ⁽²⁾

USA HEMP

In 2021, 30,000 acres of hemp were harvested for a total of ~30 million pounds of biomass ⁽⁴⁾

1. <https://bdsa.com/wp-content/uploads/2022/03/Cannabis-Market-Forecast-Spring-2022-Update.pdf>
2. <https://prohibitionpartners.com/2022/08/04/the-north-american-cannabis-report-3rd-edition-key-insights/>
3. <https://www.canada.ca/en/health-canada/services/drugs-medication/cannabis/research-data/market/licensed-area.html>
4. <https://www.hempbenchmarks.com/interactive/total-us-hemp-acres-permitted-planted-harvested/>
5. <https://www.canada.ca/en/health-canada/services/drugs-medication/cannabis/producing-selling-hemp/about-hemp-canada-hemp-industry/statistics-reports-fact-sheets-hemp.html>
6. <https://www.newcannabisventures.com/june-cannabis-sales-decrease-slightly-from-may-to-1-65-billion/>

Leadership Team

CryoMass Technologies is led by an extremely experienced and talented group of individuals who offer perspectives based on their diverse backgrounds and skill sets. From our corporate officers to our board of directors, the company is well suited for future growth.



Christian Noël
CEO



Blair Mullin
CFO



Patricia Kovacevic
General Counsel & Head
of External Affairs



Matt Armstrong
Director of Innovation



Aaron Godin
Director of Applied Science



Mike Stringile
Director of Int'l Sales



Steve Cimini
Director of US Sales

Board Of Directors

Dr. Delon Human, Chairman

Dr. Delon Human, M.B.Ch.B., M.Prax.Med, MFGP, DCH, MBA is a recognized global health leader, published author, lecturer and healthcare consultant.

Christian Noël, CEO & Director

Christian Noël is a trusted investor and business strategist, who has held senior positions in financial and investment organizations in Montreal, Canada, for the last 21 years.

Mario Gobbo, Director

Mario Gobbo has 35 years of banking and corporate finance experience in healthcare and energy.

Simon Langelier, Director

Simon Langelier has extensive experience in the international tobacco industry and is currently a director of Imperial Brands PLC, after a 30-year career with Philip Morris International.

Mark Radke, Director

Mark Radke is a lawyer with a distinguished career in the area of financial services, specializing in federal securities regulation.

Get in Touch

The common stock of CryoMass Technologies Inc. trades on the OTCQX market under the symbol **CRYM**.

For further information, please contact us using a method below:

investors@cryomass.com +1 (833) 256-2382 or +1 (303) 222-8092

WE WELCOME YOUR INQUIRIES

Disclaimer

This documentation is a presentation (the “Presentation”) of general background information about Cryomass Technologies Inc. inc. (“Cryomass Technologies Inc.” or “the Company”). It is information in a summary form and does not purport to be complete. It is not intended to be relied upon as advice to investors or potential investors and does not take into account the investment objectives, financial situation or needs of any particular investor. These should be considered, with or without professional advice, when deciding if an investment is appropriate. This Presentation does not constitute or form part of any offer for sale or solicitation of any offer to buy or subscribe for securities nor shall it or any part of it form the basis of or be relied on in connection with, or act as any inducement to enter into, any contract or commitment whatsoever. Recipients of this Presentation who are considering acquiring securities of Cryomass Technologies Inc. are reminded that any such purchase or subscription must not be made on the basis of the information contained in this Presentation but are referred to the entire body of publicly disclosed information regarding Cryomass Technologies Inc.. The information contained in this Presentation is derived solely from management of Cryomass Technologies Inc. and otherwise publicly available information concerning Cryomass Technologies Inc. and does not purport to be all-inclusive or to contain all the information that an investor may desire to have in evaluating whether or not to make an investment in Cryomass Technologies Inc.. The information has not been independently verified and is subject to material updating, revision and further amendment, and is qualified entirely by reference to Cryomass Technologies Inc.’s publicly disclosed information. No representation or warranty, express or implied, is made or given by or on behalf of Cryomass Technologies Inc. or any of its affiliates, directors, officers or employees as to the accuracy, completeness or fairness of the information or opinions contained in this Presentation and no responsibility or liability is accepted by any person for such information or opinions. Cryomass Technologies Inc. does not undertake or agree to update this Presentation or to correct any inaccuracies in, or omissions from, this Presentation that may become apparent. No person has been authorized to give any information or make any representations other than those contained in this Presentation and, if given and/or made, such information or representations must not be relied upon as having been so authorized. The information and opinions contained in this Presentation are provided as at the date of this Presentation. The contents of this Presentation are not to be construed as legal, financial or tax advice. Each prospective investor should contact his,

her or its own legal adviser, independent financial adviser or tax adviser for legal, financial or tax advice. Certain statements in this Presentation may constitute forward-looking information, including future-oriented financial information and financial outlooks, within the meaning of applicable securities laws. Forward looking information may relate to Cryomass Technologies Inc.’s future outlook and anticipated events or results and may include statements regarding Cryomass Technologies Inc.’s financial results, future financial position, expected growth of cash flows, business strategy, budgets, projected costs, projected capital expenditures, taxes, plans, objectives, potential synergies, industry trends and growth opportunities. Often but not always, forward-looking information can be identified by the use of words such as “anticipate”, “believe”, “expect”, “project”, “estimate”, “likely”, “intend”, “should”, “could”, “may”, “might”, “target”, “plan” and other similar expressions or variations (including negative variations) of such words and phrases. Forward-looking information contained in this Presentation is based on certain assumptions regarding expected growth, results of operations, performance, industry trends and growth opportunities. While management considers these assumptions to be reasonable, based on information available, they may prove to be incorrect. Forward-looking statements involve known and unknown risks, uncertainties and other factors which may cause the actual results, performance or achievements of Cryomass Technologies Inc. to be materially different from any future results, performance or achievements expressed or implied by the forward-looking statements. These risks, uncertainties and other factors include, but are not limited to risks associated with general economic conditions; adverse industry events; marketing costs; loss of markets; future legislative and regulatory developments involving medical marijuana; inability to access sufficient capital from internal and external sources, and/or inability to access sufficient capital on favourable terms; the medical marijuana industry in Canada generally, income tax and regulatory matters; the ability of Cryomass Technologies Inc. to implement its business strategies; competition; crop failure; currency and interest rate fluctuations, and the other risks. The foregoing factors are not intended to be exhaustive. Although Cryomass Technologies Inc. has attempted to identify important factors that could cause actual actions, events or results to differ materially from those described in forward-looking statements, there may be other factors that cause actions, events or results to differ from those anticipated, estimated or intended. Forward-looking statements contained herein are made as of the date

hereof and CryoMass Technologies Inc. and its directors, officers and employees disclaim any obligation to update any forward-looking statements, whether as a result of new information, future events or results or otherwise. There can be no assurance that forward-looking statements will prove to be accurate, as actual results and future events could differ materially from those anticipated in such statements. Accordingly, you should not place undue reliance on forward-looking statements due to the inherent uncertainty therein. All forward-looking information is expressly qualified in its entirety by this cautionary statement. Forward-looking information and other information contained herein concerning management’s general expectations concerning the medical marijuana industry are based on estimates prepared by management using data from publicly available industry sources as well as from market research and industry analysis and on assumptions based on data and knowledge of this industry which management believes to be reasonable. However, this data is inherently imprecise, although generally indicative of relative market positions, market shares and performance characteristics. While management is not aware of any misstatements regarding any industry data presented herein, industry data is subject to change based on various factors. This Presentation may not be reproduced, further distributed or published in whole or in part by any other person. Neither this Presentation nor any copy of it may be taken or transmitted into or distributed in any other jurisdiction which prohibits the same except in compliance with applicable laws. Any failure to comply with this restriction may constitute a violation of applicable securities law. Recipients are required to inform themselves of, and comply with, all such restrictions or prohibitions and Cryomass Technologies Inc. does not accept liability to any person in relation thereto.